

# PRF 160D2

Article number: 87988

Variant : 400V 3~ 50Hz



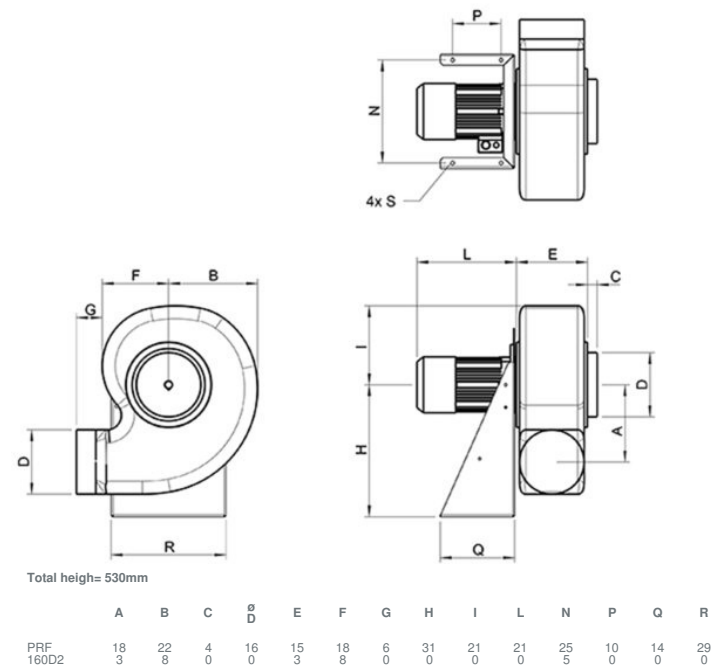
## Description

High efficient motor  
 Speed-controllable via frequency converter  
 Integral cold conductor (PTC)  
 Standard motor outside the air stream  
 Temperature of transported air from -15°C - +70°C  
 Position of casing can be easily adapted  
 Single-flow impellers from PP with effective blade geometry  
 Low sound level  
 The powder painted pedestal is manufactured of galvanized steel  
 Perfect fitting accessories: connections, dampers, splinter protection  
 Easy to maintain and reliable  
 The PRF fans are equipped with high efficient motors. The PRF fans have been developed especially for the exhaust of aggressive media. This is the right fan when corrosive gases, contaminated air or other aggressive components are part of the exhaust air. Typical applications are medical...  
 Find more details in our online catalogue

## Technical parameters

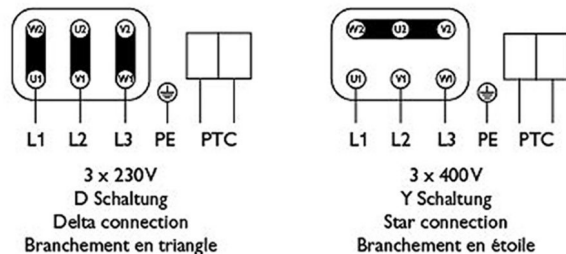
Nominal data	
Voltage (nominal)	400 V
Frequency	50 Hz
Phase(s)	3~
Input power	925 W
Input current	1.6 A
Impeller speed	2,903 r.p.m.
Air flow	max ; 1,642; m³/h
Temperature of transported air	max 70 °C
Max temperature of transported air, when speed controlled	70 °C
Sound data	
Sound pressure level at 3m (20m² Sabin)	66 dB(A)
Protection/Classification	
Enclosure class, motor	IP55
Insulation class	F
Data according to ErP	
ErP ready	Not ErP relevant
Dimensions and weights	
Weight	10.2 kg
Others	
Motor type	AC

## Dimension



## Wiring

### Dreiphasenmotor mit Kaltleiter Three phase motor with cold conductor Moteur triphasé avec résistance PTC



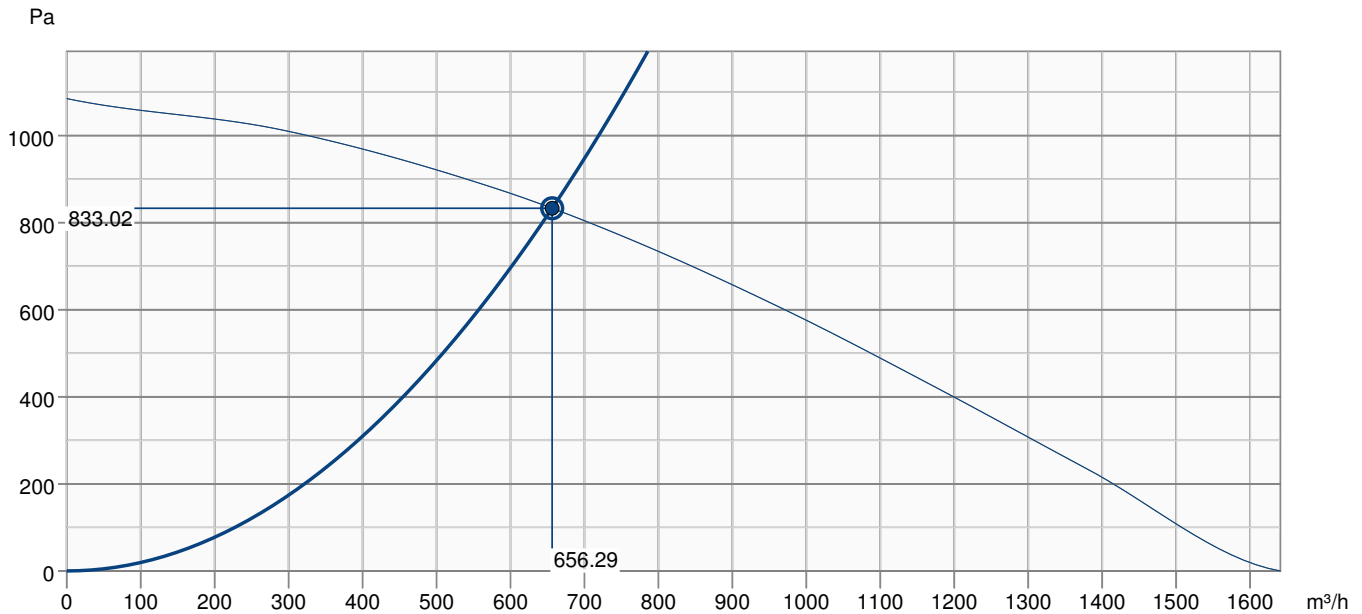
3 x 230V  
 D Schaltung  
 Delta connection  
 Branchement en triangle

3 x 400V  
 Y Schaltung  
 Star connection  
 Branchement en étoile

Drehrichtungsänderung durch Vertauschen von 2 Phasen  
 Changing of direction of rotation by interchanging of two phases  
 Changement de sens de rotation par inversion de deux phases

Typenschild beachten! See label! Voir plaquette!

## Performance curve



Hydraulic data										
Required air flow	656 m³/h									
Required static pressure	833 Pa									
Working air flow	656 m³/h									
Working static pressure	833 Pa									
Air density	1.204 kg/m³									
Power	517.3 W									
Fan control - RPM	2946 rpm									
Current	1.11 A									
SFP	2.838 kW/m³/s									
Control voltage	400.0 V									
Supply voltage	400 V									
Sound power level		63	125	250	500	1k	2k	4k	8k	Total
Inlet	dB(A)	46	67	69	73	72	67	61	59	77
Outlet	dB(A)	47	68	70	74	73	69	62	60	79

## Accessories

ASS-P 160 flex. con. PRF (32365)

FRQ5-4A+LED V2 (36229)

FRQS-4A V2 (36231)

REV-5POL/05 ON/OFF (33979)

SD rubber mou. 4Pcs PRF160-250 (32568)

VKA-P 160 adjust. damper PRF (32370)

VP-Splinter protection PRF 160 (305462)

FRQ-4A V2 (36227)

FRQ5S-4A+LED V2 (36233)

FXDM5AM Frequency inv. IP54 (31387)

REV-9POL/12 ON/OFF (33981)

U-EK230E Motor protection (30199)

VKS-P 160 gravity shutter PRF (32375)

REV-5POL/05 incl. EMC KIT (34549)

## Documents

compatibility with chemical agents\_en\_003.pdf

IMO\_PRF\_PRF\_EX\_008\_312436.PDF

EC-DEC\_PRF\_171114\_DE\_GB\_003.PDF